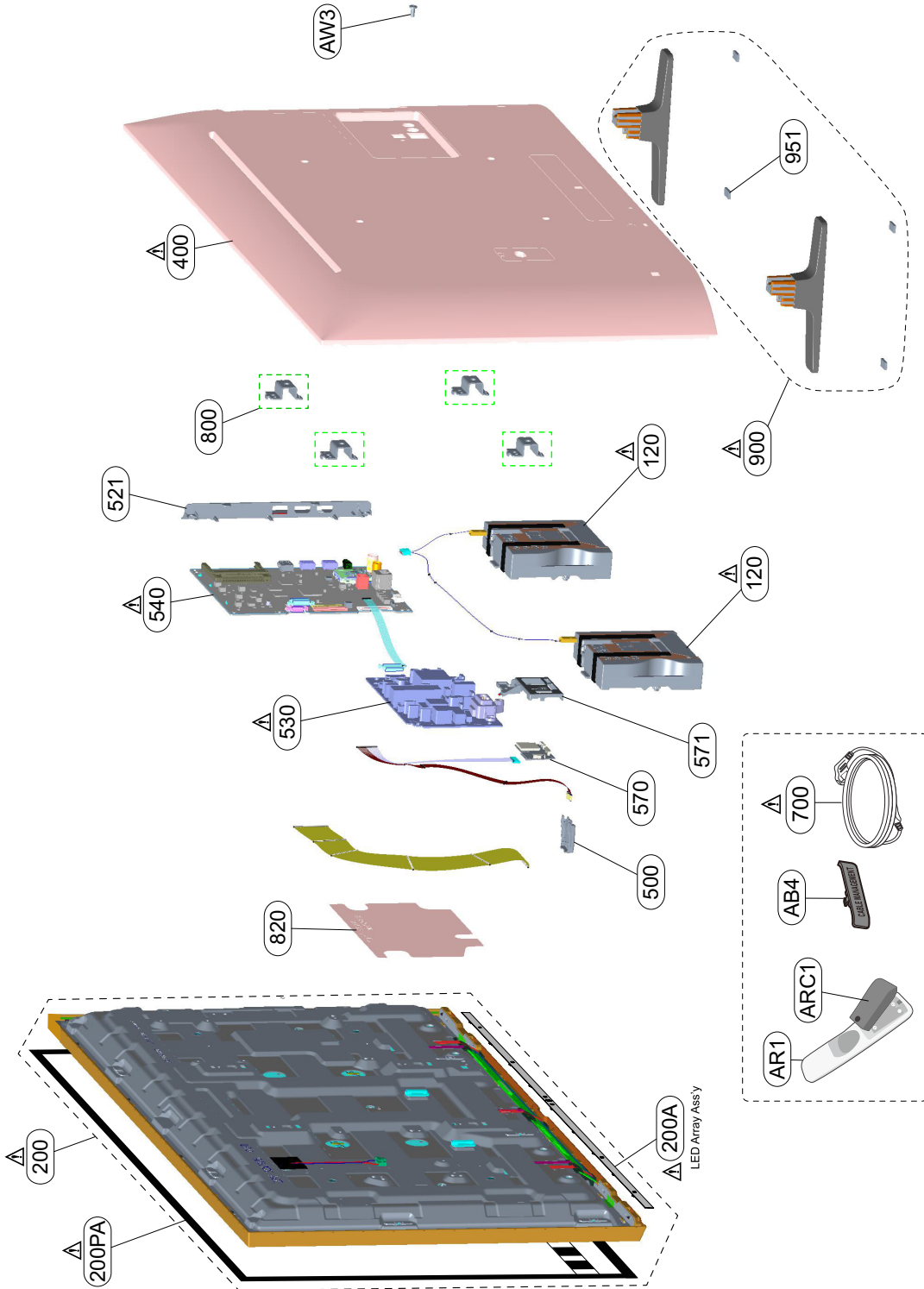


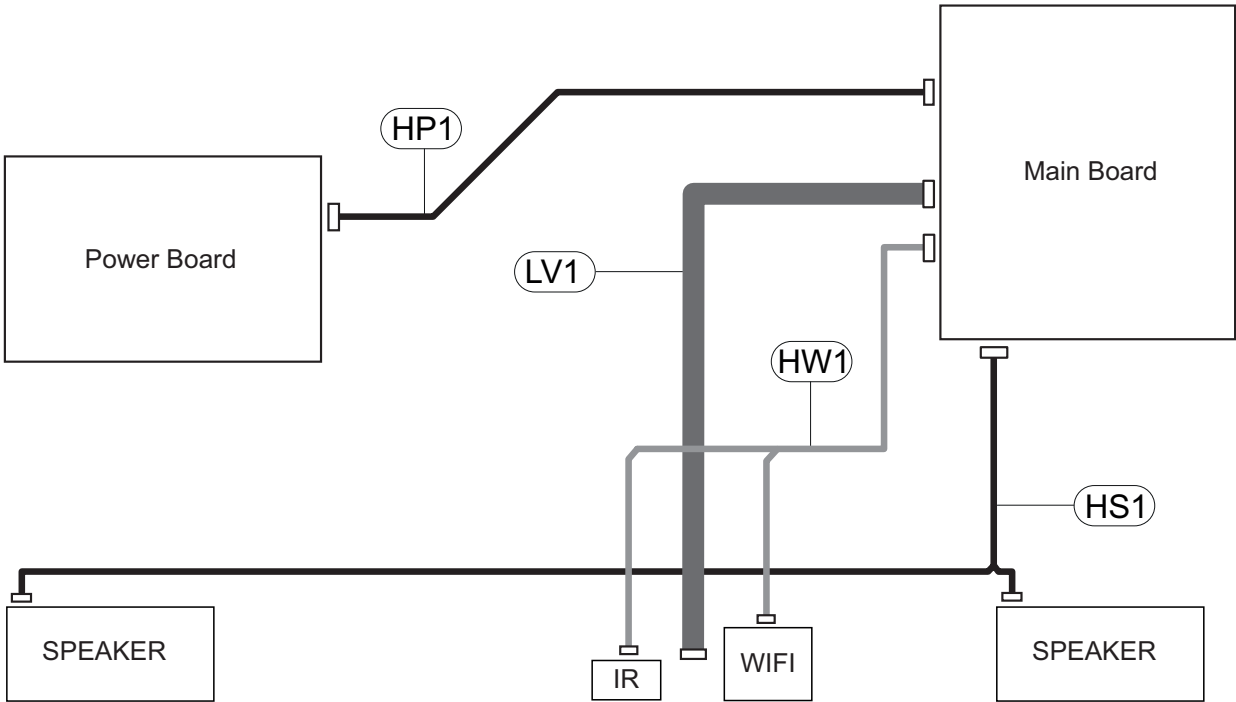
EXPLODED VIEW (SET)

IMPORTANT SAFETY NOTICE

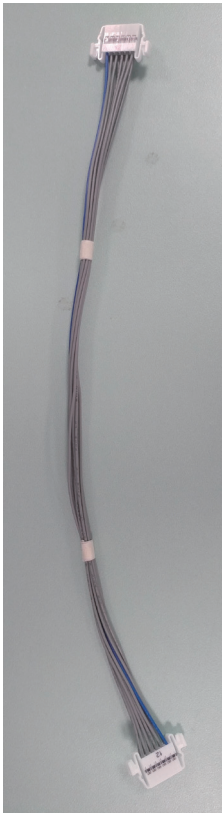
Many electrical and mechanical parts in this chassis have special safety-related characteristics. These parts are identified by Δ in the EXPLODED VIEW. It is essential that these special safety parts should be replaced with the same components as recommended in this manual to prevent Shock, Fire, or other Hazards. Do not modify the original design without permission of manufacturer.



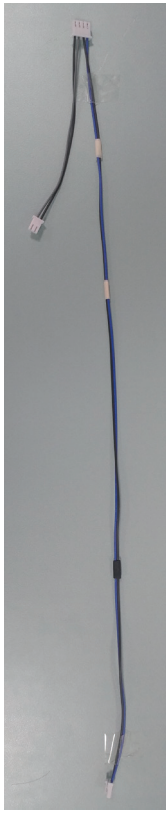
WIRING DIAGRAM



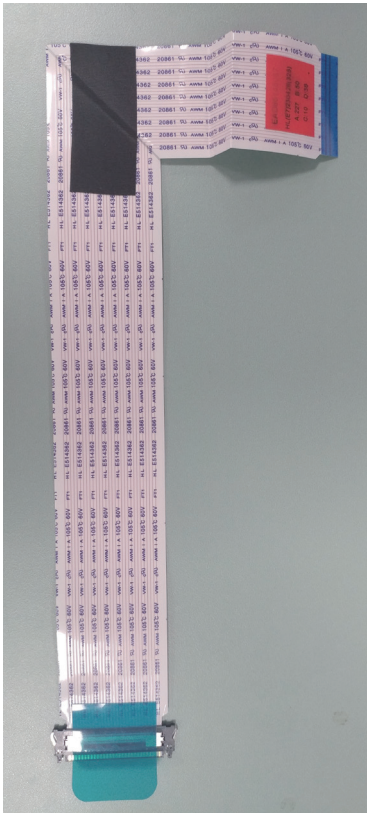
HP1



HS1



LV1



HW1

